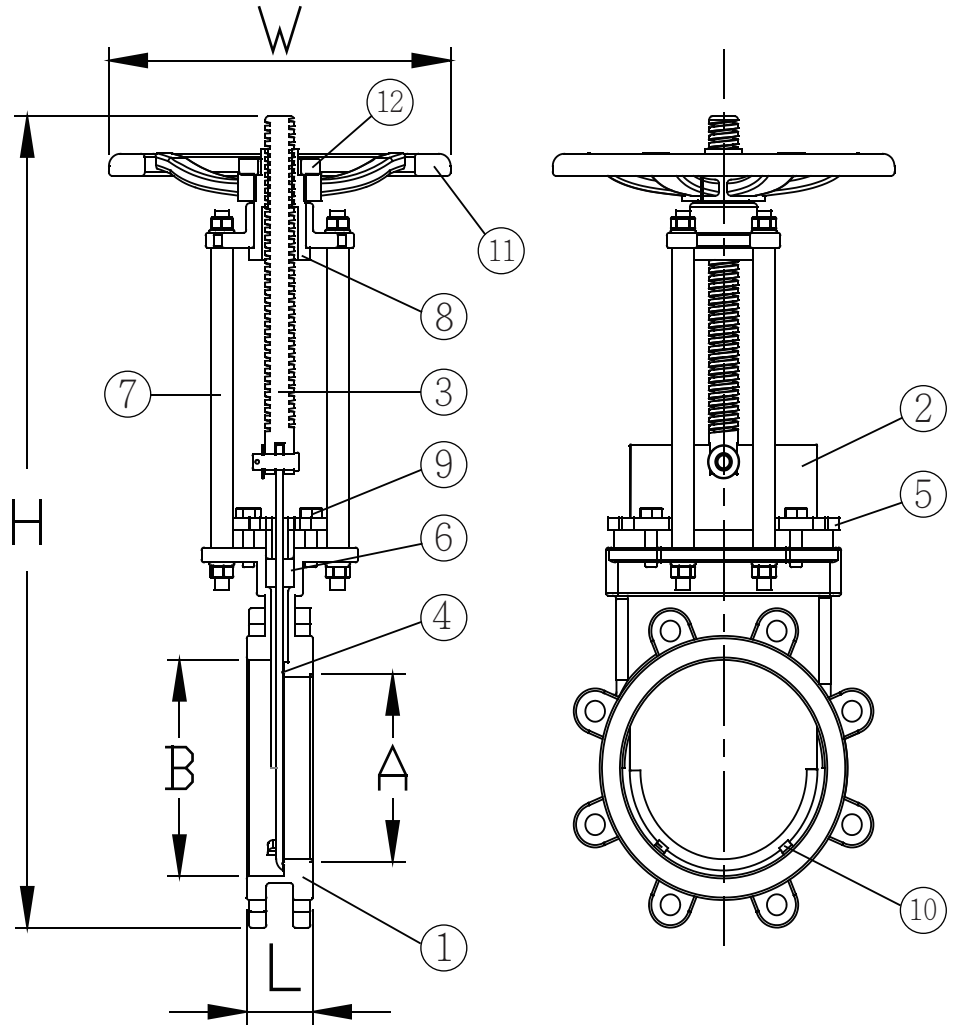


手動式不鏽鋼閘刀閥

MANUAL TYPE STAINLESS STEEL GATE VALVE



DIMENSION : MM

SIZE	L	A	B	W	H
2"	48	42	64	190	420
2-1/2"	51	57	80	190	430
3"	51	72	95	190	430
4"	51	97	122	220	500
5"	57	125	148	290	700
6"	57	144	166	290	700
8"	70	195	222	350	880
10"	70	245	272	350	1100
12"	76	306	306	400	1180
14"	76	330	375	400	1355
16"	89	375	430	400	1555
18"	89	430	475	500	1800
20"	114	475	520	500	1870
24"	114	570	630	500	2190

(FOR REFERENCE ONLY.)

MATERIALS

NO.	SUBJECT	MATERIAL
1	BODY	SUS304
2	PLATE	SUS304
3	STEM	SUS410 SUS304
4	SEAT	TEFLON
5	GLAND	SUS304
6	GLAND PACKING	ASB NON-ASB
7	YOKE	DUCTILE IRON
8	YOKE SLEEVE	CAST BRONZE
9	BOLT NUT	SUS304
10	PAWLS	SUS304
11	HAND WHEEL	CAST IRON
12	NUT	CAST IRON

(FOR REFERENCE ONLY.)

連接規格 : (FLANGE)

- JIS 5K JIS 10K JIS7.5K
- ANSI 150LB
- DIN PN10 PN6

MSS-SP81 TEST STANDARD

BODY TEST : 11kg / cm² (WATER)

SEAT TEST : 2.8kg / cm² (WATER)

LEAKAGE : 4 cc / per in.min.