

鑄鐵手動式蝶閥 BUTTERFLY VALVE

DIMENSIONS

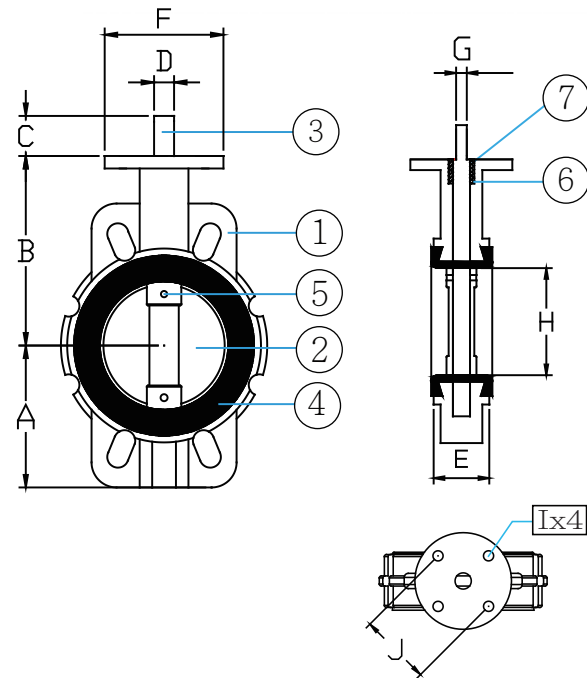
SIZE	SIZE	A	B	C	D	E	F	G	H	I	J
in	mm										
2"	50	74	116	30	13	43	92	8	56	10	70
2-1/2"	65	82	132	30	13	46	92	8	70	10	70
3"	80	90	135	30	13	46	92	8	81	10	70
4"	100	111	162	30	16	52	92	11	103	10	70
5"	125	121	176	30	16	56	92	11	126	10	70
6"	150	135	186	30	16	56	92	11	149	10	70
8"	200	166	213	35	19	60	120	13	193	12	102
10"	250	204	262	35	22	68	120	16	245	12	102
12"	300	239	286	35	28	78	120	19	296	12	102
14"	350	269	345	35	28	78	180	8x40	332	15	140
16"	400	311	387	65	35	87	180	8x40	387	15	140
18"	450	330	427	65	35	106	180	8x40	436	15	140
20"	500	362	432	75	42	130	210	10x50	487	15	170
24"	600	416	521	90	50	150	210	12x55	580	15	170

(FOR REFERENCE ONLY.)

MATERIALS

NO.	NAME	MATERIALS	SPECIFICATION		REMARK
			JIS	ASTM	
1.	BODY	CASTIRON	FC 20	A126-B	2"~24"
		DUCTILE IRON	FCD 45	A-536-65-45-12	
		STAINLESS STEEL	SCS 13/14	A351CF8/CF8M	
2.	DISC	DUCTILE IRON	FCD 45	A-536-65-45-12	
		STAINLESS STEEL	SCS 13	A351 CF8	
			SCS 14	A351 CF8M	
			SUS 316L	CF3M	
3.	STEM	STAINLESS STEEL	SUS 410	A182F410	
			SUS 304	A182F304	
			SUS 316	A182F316	
4.	LINER	NBR			-10°C~80°C(14°F~176°F)
		EPDM			-20°C~120°C(-4°F~248°F)
		SILICON			-20°C~204°C(-4°F~400°F)
		VITON			-18°C~204°C(-0.4°F~400°F)
5	TAPER PIN	STAINLESS STEEL	SUS304	A182F304	
6.	O-RING	NBR			
7.	BOSHING	NYLON			

(FOR REFERENCE ONLY.)



可依客戶需求安裝驅動型式

- 氣動式
- 齒輪式
- 電動式
- 把手式