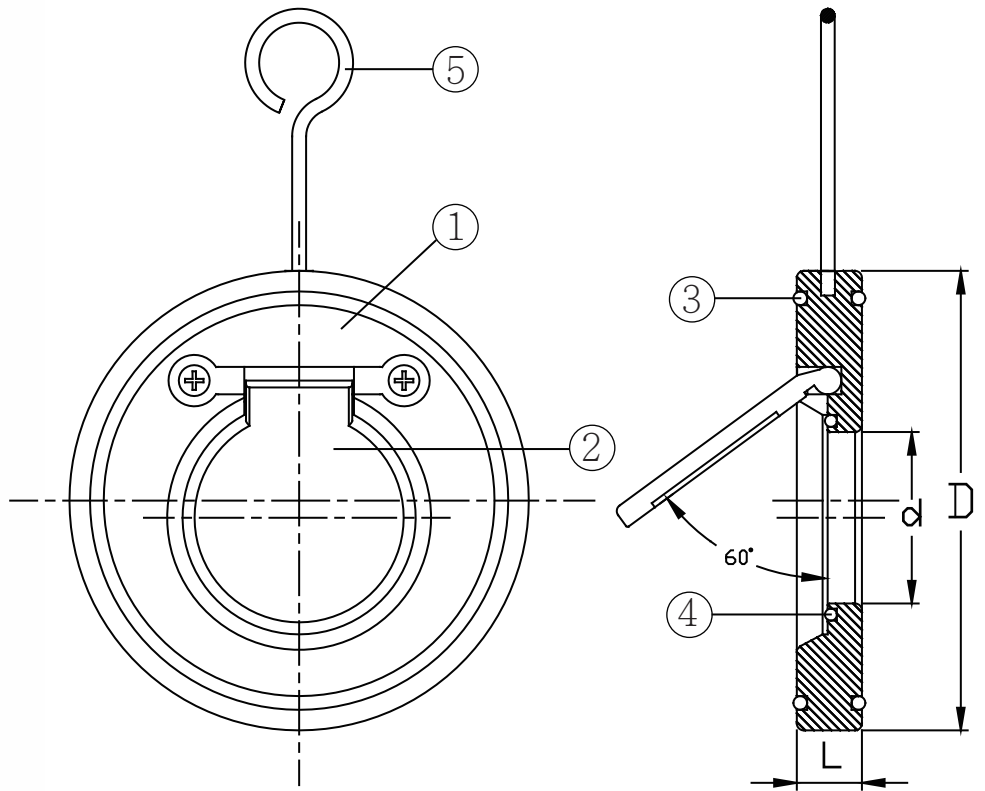


# 單片擺動式逆止閥

## SINGLE DOOR WAFER TYPE CHECK VALVE



### PARTS LIST

NO.	NAME	MATERIAL
1	BODY	WCB SUS304 SUS316
2	CLAPPER	SUS304 SUS316
3	BODY SEAT	NBR METAL
4	CLAPPER SEAT	NBR VITON PTFE METAL
5	O-BOLT	SUS304

(FOR REFERENCE ONLY.)

### FLUID SPECIFICATION

STAINLESS SPECIFICATION	SUS304 SUS316	SUS304 SUS316	SUS304 SUS316
SEAT	NBR	VITON	PTFE
FLUID	AIR.OIL WATER & OTHERS	AIR.OIL HOT WATER & OTHERS	AIR.OIL STEAM & OTHERS
WORKING PRESSURE (MAX)(Kgf/cm)	16	16	16
FLUID TEMP(MAX)(°C)	80	150	200

(FOR REFERENCE ONLY.)

### INSTALLION DIMENTIONS

MARK \ SIZE	2"	2-1/2"	3"	4"	5"	6"	8"	10"	12"	14"	16"	18"	20"
d	30	42	50	72	93	112	142	190	211	260	305	358	408
D	10K	104	124	134	159	191	220	271	330	377	422	484	594
	150LB	104	124	137	175	195	220	279	339	409	450	514	605
L	19	19	19	19	21	24	27	29	35	38	42	48	60

(FOR REFERENCE ONLY.)